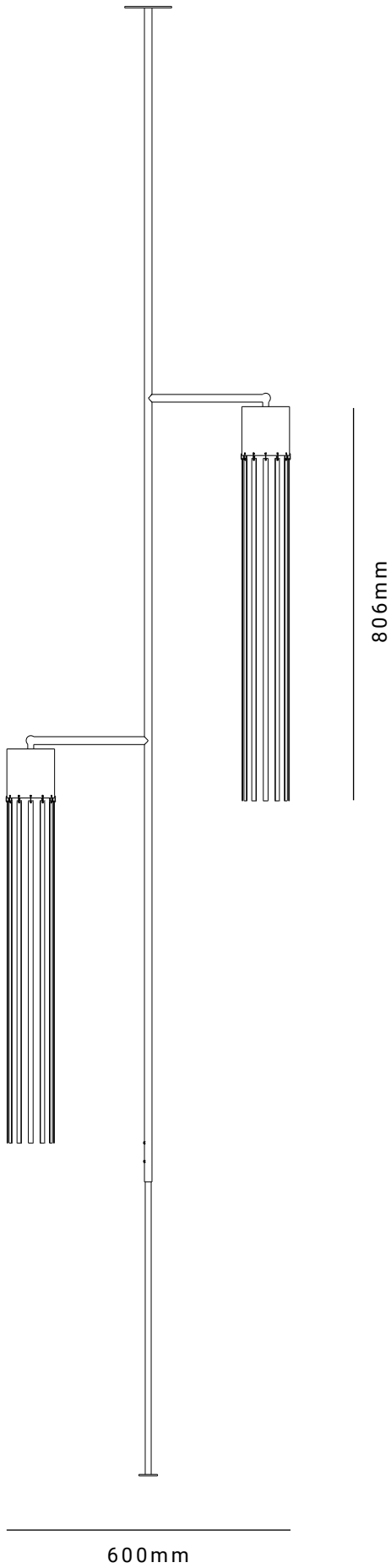




SOZOU



<b>Product</b>	Meguri FTC
<b>Lamp type</b>	240V G9
<b>Supplied lamp</b>	3.5W 3000K dimmable LED x2
<b>Drop length</b>	Floor to ceiling, as specified. (minimum 2400mm)
<b>Weight</b>	10kg
<b>Ceiling mount</b>	Recessed
<b>Finishes</b>	Brass and plated finishes (Pictured in Dark Bronzed Brass).

**Brass finishes**



Dark Bronzed Brass



Bronzed Brass

**Plated finishes**

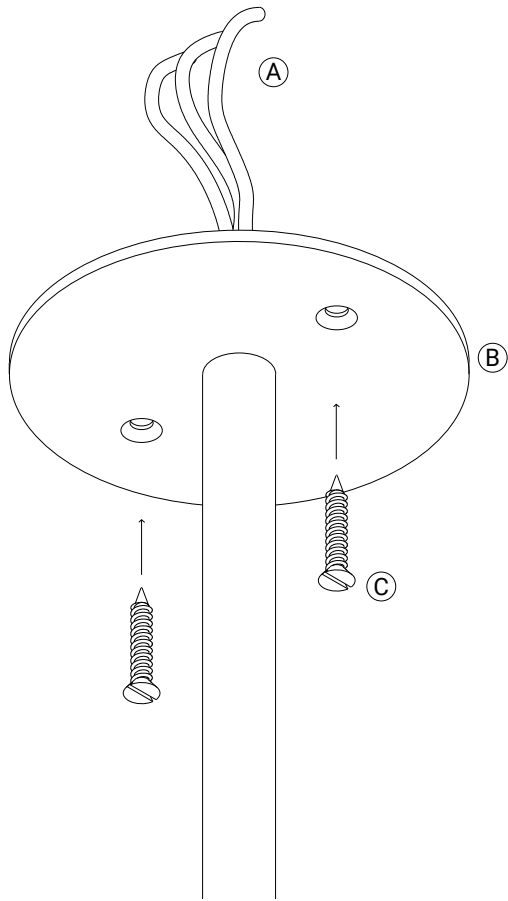


Chrome



Brushed Nickel

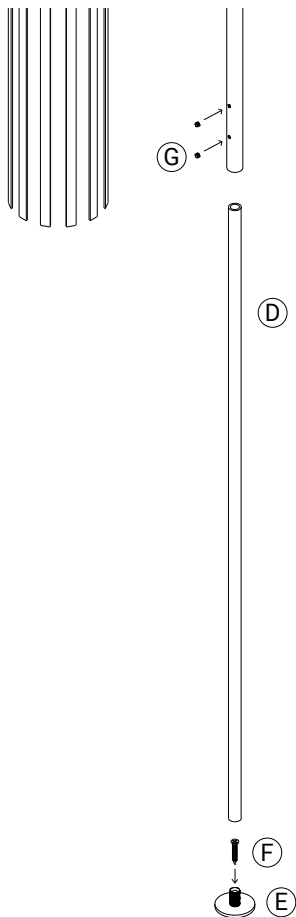
\*Each hand finished surfaces are unique and variations may occur.



### Installation 1 - Ceiling

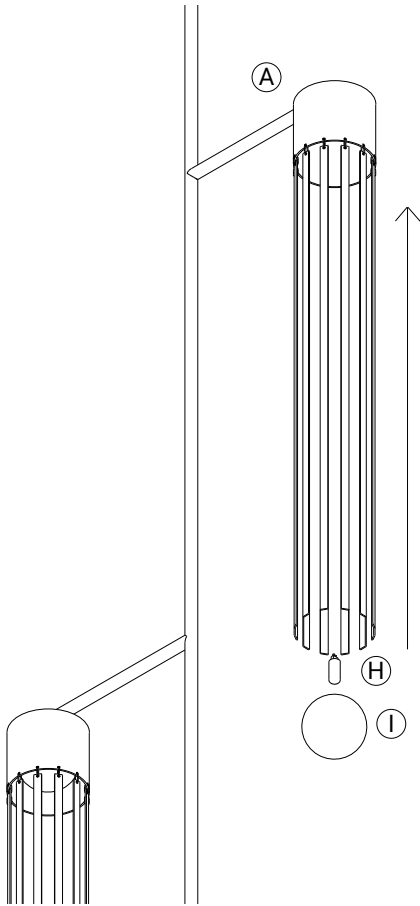
**\*Do not remove the cardboard until installed.**  
**\*Please wear supplied gloves all time of the installation.**

1. Make sure to turn off the main power before installation.
2. Drill  $\varnothing 35 - 50\text{mm}$  hole to the ceiling wiring point.
3. Carefully Insert the bottom suspension rod (D) into the main frame.
4. Connect main power to the fitting (A).
5. Place wiring into the ceiling, and attach the recessed ceiling mount (B) to the ceiling with the supplied brass screws (C).



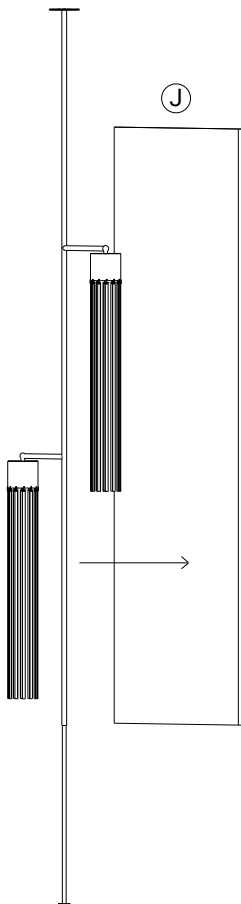
### Installation 2 - Floor

1. Attach the floor mount plate (E) to the floor using the timber screw supplied (F).
2. Carefully slide down the bottom suspension rod (D) out from the main frame, then screw it in to the floor mount plate (E).
3. Secure the main frame and the bottom suspension rod with the grub screws x2 supplied (G).



### Installation 3 - Lamp

1. Insert the supplied bi-pin lamps (H) to the lampholders.
2. Screw in the opal glass bulbs (I) to the lampholders.



### Installation 4 - Adjustment

1. Remove the cardboard attached to the fitting.
2. Make sure all the lamp shade cups and brass fringes are hanging straight.
3. Clean the fitting with soft cloth.
4. Turn on the main power.

**Caution: Installation must be performed by certified electrician.**